

## Temperature Switch for Liquids Model TW



- ◆ Switching Range: +30 to +120°C
- ◆ Tolerance: ± 5°C (7°C)  
depending on switch point
- ◆ Material: Brass
- ◆ Connection: G 3/4 (male)

**Cost Effective  
Measurement Technology**

INTERIN GmbH  
Nordring 24  
D-65719 Hofheim/Ts.  
Tel: +49 (0)6192 958 612-70  
Fax: +49 (0)6192 958 612-99  
E-Mail: [info@interin.de](mailto:info@interin.de)  
Internet: [www.interin.de](http://www.interin.de)

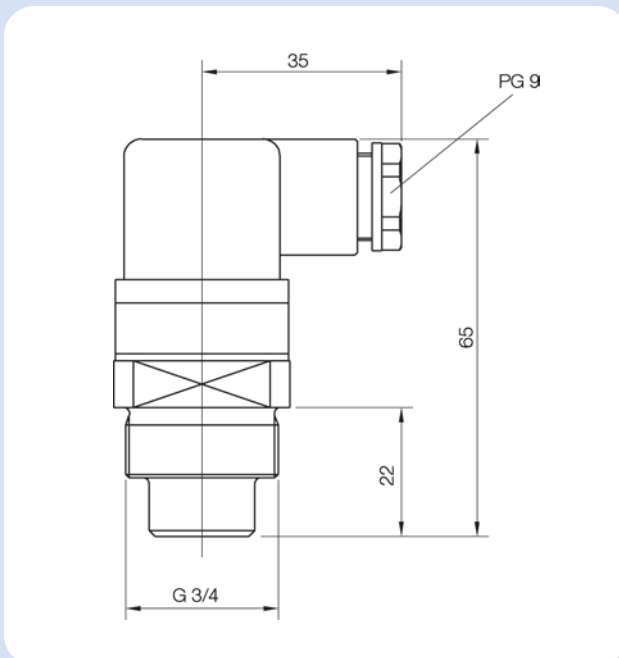
# Temperature Switch for Liquids Model TW

No responsibility taken for errors; subject to change without prior notice. 08 / 2007

## Description

The INTERIN temperature switches of model TW work with a bi-metal switch and serve to monitor temperature of liquids in piping and vessels. The instruments are available in brass or stainless steel and are screwed through a G 3/4 screw-in thread into a screwed socket that is welded onto the line or vessel. The temperature contacts have a fixed switch point in intervals of 5°C in the range 30°C to 50°C, and in intervals of 10°C between 50°C and 120°C. They are available as N/C or N/O contacts. The connection is supplied with a standard plug.

## Dimensions



## Technical Details

Housing:	Brass, Ms 58, nickel-plated
Connection:	G 3/4 (male)
Measuring principle:	Bimetal-strip
Max. temperature:	150 °C
Rated pressure:	PN 64
Tolerance:	Switch points 30 - 90°C: ± 5°C Switch points 100 - 120°C: ± 7°C
Switching hysteresis:	max. 20°C
Contact function:	TW-1...: N/C contact with rising temperature TW-2...: N/O contact with rising temperature
Switch capacity:	250 V <sub>AC</sub> , 30 V <sub>DC</sub> , 4 A
Contact resistance	< 30 m Ω
Elect. connection:	Plug connector acc. to DIN 43 650 A
Protection type:	IP 65

## Applications

- ◆ Plant construction
- ◆ Mechanical construction
- ◆ Environmental technology
- ◆ Cooling circuits

## Order Details (Example: TW-1130)

Switch Points	N/C Contact Order No.	N/O Contact Order No.
30°C	TW-1130	TW-2130
35°C	TW-1135	TW-2135
40°C	TW-1140	TW-2140
45°C	TW-1145	TW-2145
50°C	TW-1150	TW-2150
60°C	TW-1160	TW-2160
70°C	TW-1170	TW-2170
80°C	TW-1180	TW-2180
90°C	TW-1190	TW-2190
100°C	TW-111H	TW-211H
110°C	TW-11H1	TW-21H1
120°C	TW-11HZ	TW-21HZ